



# PARTS LIST

## ENGINE

**G4L (48-D, 49-D)**  
**G4LS (174-D, 178-D)**

**NOTE :**

1. Use ZENOAH genuine parts specified in the parts list for repair and/or replacement.
2. ZENOAH does not warrant the machines, those which have been damaged by the use of any parts other than those specified by the company.
3. When placing orders of parts for repair and/or replacement, check if the model name and the serial number are suitable to those specified in the parts list, then use parts number described in the parts list.
4. The contents described in the parts list may change due to improvement.
5. The parts for the machine shall be supplied within ten (10) years after the machine is discontinued. [It is possible that some specific parts may be subject to change of their delivery term and list price within the limit of ten (10) years after the machine is discontinued. And it is also possible that some parts may be available even after the limit of ten (10) years.]

APPLICABLE SERIAL NUMBERS:

ENGINE UNIT 900101 and up

January 2010

G4L (48-D, 49-D) / G4LS (174-D, 178-D)

Fig.1a ENGINE

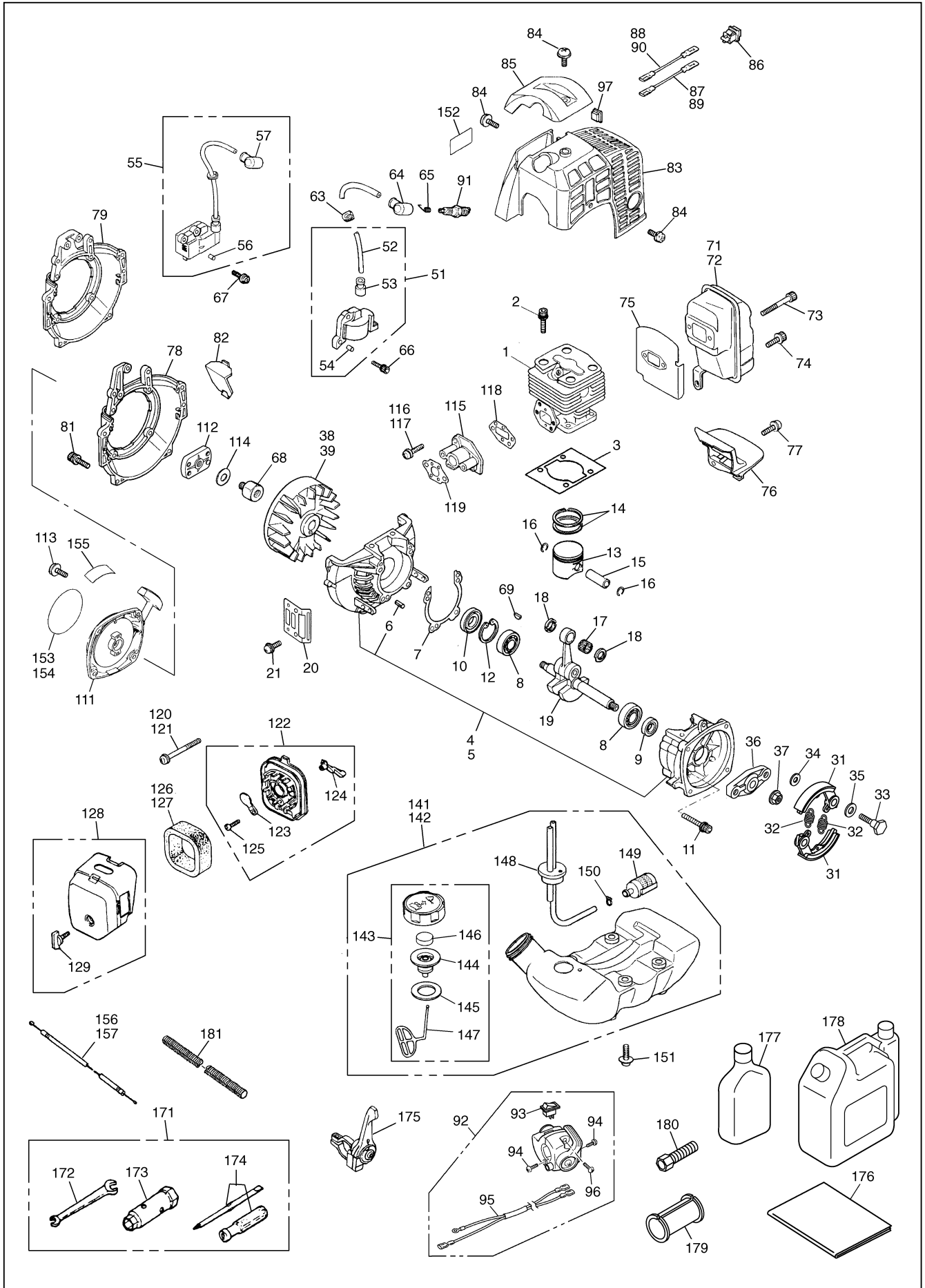


Fig.1a ENGINE

Key#	PART NUMBER	DESCRIPTION	Q'TY /UNIT	G4L		G4LS	
				48-D	49-D	174-D	178-D
1	4500-12110	CYLINDER	1	0	0	0	0
2	1850-12130	BOLT	4	0	0	0	0
3	4500-13120	GASKET, 143RII	1	0	0	0	0
4	4500-21101	CRANKCASE COMP.	1	0	0	-	-
5	848G812110	CRANKCASE COMP.	1	-	-	0	0
6	2629-21130	• PIN	3	0	0	0	0
7	4500-21140	GASKET	1	0	0	0	0
8	06030-06201	BEARING	2	0	0	0	0
9	4810-21210	SEALING	1	0	0	0	0
10	1650-21220	SEAL	1	0	0	0	0
11	01252-30530	BOLT	4	0	0	0	0
12	04065-03212	SNAP RING	1	0	0	0	0
13	4500-41110	PISTON	1	0	0	0	0
14	8488C40300	RING, PISTON	2	0	0	0	0
15	2850-41310	PIN	1	0	0	0	0
16	1300-41320	RING	2	0	0	0	0
17	T2100-41410	BEARING	1	0	0	0	0
18	2850-41510	WASHER	2	0	0	0	0
19	T1051-42000	CRANKSHAFT COMP.	1	0	0	0	0
20	4500-22110	GUARD	1	0	0	0	0
21	0263-90514	SCREW	1	0	0	0	0
31	4500-51111	SHOE	2	0	0	0	0
32	T1051-51220	SPRING	2	0	0	0	0
33	1200-51211	SCREW	2	0	0	0	0
34	1200-51230	WASHER	2	0	0	0	0
35	1200-51241	WASHER	2	0	0	0	0
36	T1051-55310	PLATE, CLUTCH	1	0	0	0	0
37	1650-43230	NUT	1	0	0	0	0
38	576 04 93-01	ROTOR	1	0	0	-	-
39	848G8371A0	ROTOR	1	-	-	0	0
51	4500-71200	COIL ASSY	1	0	0	-	-
52	4500-71220	• CORD, HIGH	1	0	0	-	-
53	2616-71320	• CAP	1	0	0	-	-
54	3356-21130	• PIN	2	0	0	-	-
55	848G8U7120	COIL ASSY	1	-	-	0	0
56	T1153-71250	• PIN	2	-	-	0	0
57	5500-72110	• CAP	1	-	-	0	0
63	5500-72130	GROMMET	1	0	0	-	-
64	5500-72110	CAP	1	0	0	-	-
65	1900-72120	SPRING	1	0	0	-	-
66	4500-72150	BOLT	2	0	0	-	-
67	3350-14150	BOLT	2	-	-	0	0
68	T1048-43230	EXTENSION	1	0	0	0	0
69	1000-43240	KEY	1	0	0	0	0
71	4500-15110	MUFFLER	1	0	-	0	0
72	T1007-15110	MUFFLER	1	-	0	-	-
73	01252-30565	BOLT	2	0	0	0	0
74	3310-31720	BOLT	1	0	0	0	0
75	T1048-15210	GASKET	1	0	0	0	0
76	4500-15221	PLATE, MUFFLER	1	0	0	0	0
77	0263-90514	SCREW	1	0	0	0	0
78	574 72 15-01	COVER	1	0	0	-	-
79	848G8253G0	COVER, FAN	1	-	-	0	0
81	3310-12281	BOLT	4	0	0	0	0
82	4500-31210	PLATE	1	0	0	0	0
83	T1034-32110	COVER, ENGINE	1	0	0	0	0
84	4500-32120	SCREW	4	0	0	0	0
85	4500-32210	GUARD	1	0	0	0	0

G4L (48-D, 49-D) / G4LS (174-D, 178-D)

Fig.1b ENGINE

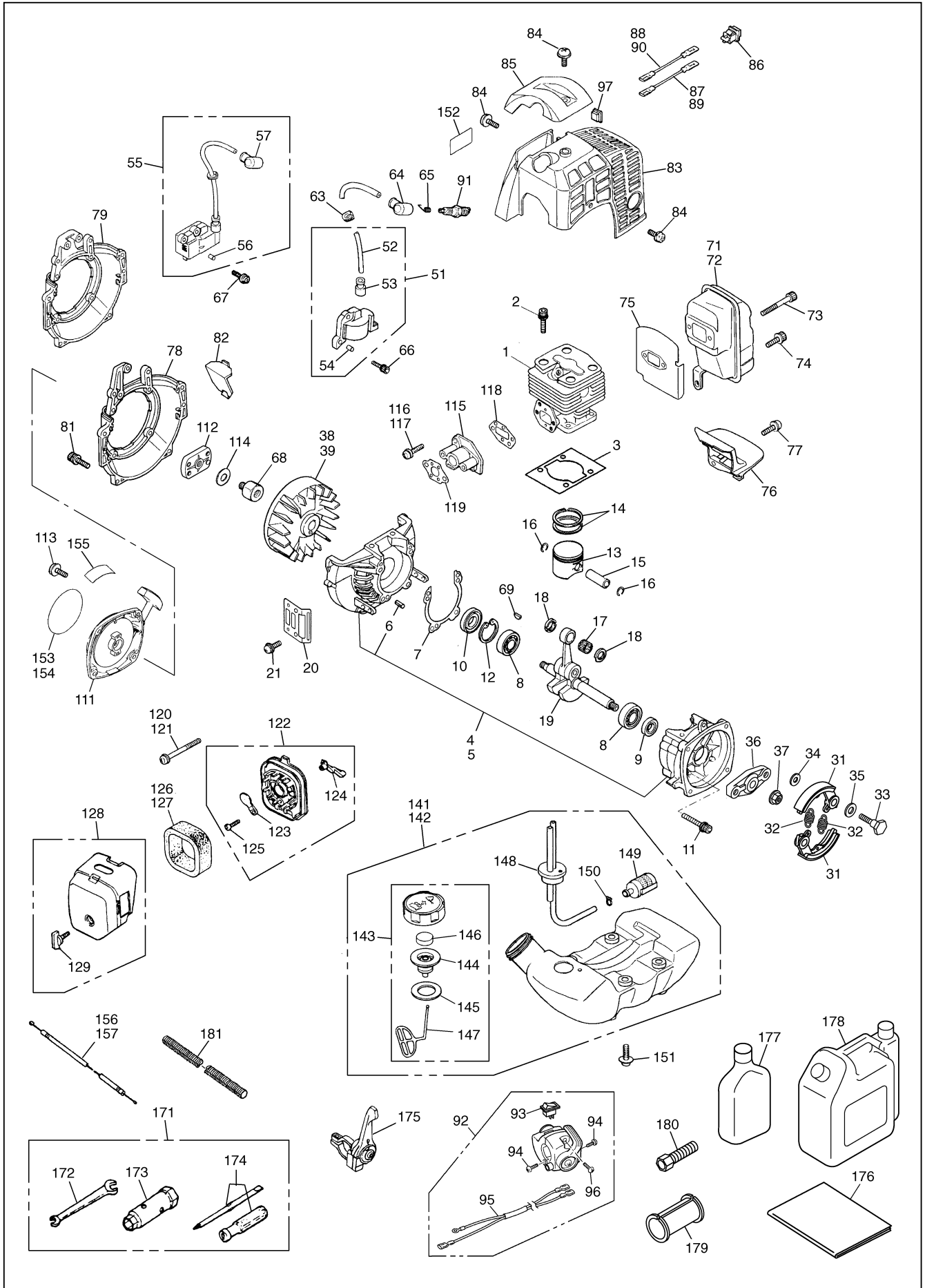
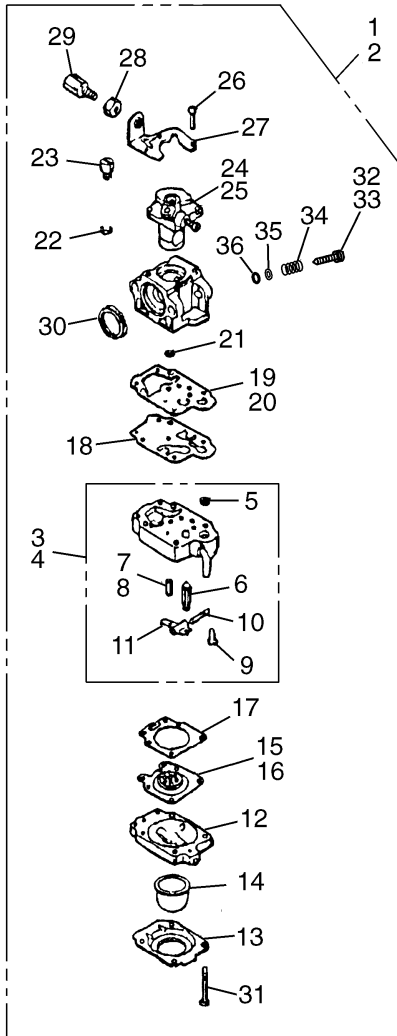


Fig.1b ENGINE

Key#	PART NUMBER	DESCRIPTION	Q'TY /UNIT	G4L		G4LS	
				48-D	49-D	174-D	178-D
86	4500-73211	SWITCH	1	0	0	0	-
87	4500-73220	CORD	1	0	0	-	-
88	4500-73230	CORD	1	0	0	-	-
89	T1157-73220	CORD	1	-	-	0	-
90	4700-73231	CORD	1	-	-	0	-
91	5602-73110	SPARKPLUG, RCJ6Y	1	0	0	0	0
92	575 27 58-01	LEVER, ASSY	1	-	-	-	0
93	8488L20020	• SWITCH	1	-	-	-	0
94	2630-31950	• SCREW	2	-	-	-	0
95	575 27 54-01	• CORD COMP.	1	-	-	-	0
96	0263-60520	• SCREW	1	-	-	-	0
97	1852-72121	GROMMET	1	-	-	-	0
111	848G8U7510	RECOIL ASSY	1	0	0	0	0
112	848G8U7520	PULLEY	1	0	0	0	0
113	4500-75511	SCREW	4	0	0	0	0
114	01643-30823	WASHER	1	0	0	0	0
115	4500-13162	INSULATOR	1	0	0	0	0
116	4500-13181	SCREW	2	0	0	-	-
117	8488452210	BOLT	2	-	-	0	0
118	848G6014B1	GASKET, INSU	1	0	0	0	0
119	4500-13130	GASKET	1	0	0	0	0
120	0263-90550	SCREW	2	0	0	-	-
121	8488455500	BOLT	2	-	-	0	0
122	T1184-82101	BODY ASSY	1	0	0	0	0
123	T1184-82130	• PLATE, CHOKE	1	0	0	0	0
124	4500-82140	• LEVER, CHOKE	1	0	0	0	0
125	2630-33610	• SCREW	1	0	0	0	0
126	4500-82170	ELEMENT	1	0	0	-	-
127	848G8U83F0	ELEMENT	1	-	-	0	0
128	4500-82202	COVER ASSY	1	0	0	0	0
129	5500-82221	• KNOB	1	0	0	0	0
141	T1048-85003	TANK ASSY	1	0	0	-	-
142	848G8U8500	TANK ASSY	1	-	-	0	0
143	T1015-85202	• CAP ASSY	1	0	0	0	0
144	4500-85300	•• HOLDER ASSY	1	0	0	0	0
145	4500-85220	•• PACKING	1	0	0	0	0
146	5601-85260	•• FILTER	1	0	0	0	0
147	4820-85260	•• STOPPER	1	0	0	0	0
148	5500-85300	• PIPE COMP.	1	0	0	0	0
149	3302-85400	• FILTER	1	0	0	0	0
150	1260-85460	• CLIP	1	0	0	0	0
151	1600-86120	SCREW	4	0	0	0	0
152	T1034-31121	LABEL, COVER	1	0	0	-	-
153	575 40 92-01	LABEL, RECOIL	1	0	0	-	-
154	848G8U90C0	LABEL, RECOIL	1	-	-	0	0
155	848L9K90L0	LABEL, CAUTION	1	-	-	0	0
156	5580-83100	CABLE COMP.	1	0	-	0	0
157	1750-82102	CABLE COMP.	1	-	0	-	-
171	1111-91003	TOOL SET	1	0	0	0	0
172	3540-91120	• SPANNER	1	0	0	0	0
173	1110-91320	• SOCKET	1	0	0	0	0
174	1030-91340	• DRIVER	1	0	0	0	0
175	1774-82200	LEVER ASSY	1	0	0	0	-
176	NEW	MANUAL	1	0	-	-	-
177	574 88 00-01	OIL	1	-	-	0	0
178	848G7N92E0	TANK	1	-	-	0	0
179	3541-11450	SPACER	1	-	-	-	0
180	T1615-13170	SCREW, ADJUSTER	1	0	-	-	0
181	575 27 53-01	TUBE	1	-	-	-	0

Fig.2 CARBURETOR



Key#	PART NUMBER	DESCRIPTION	Q'TY /UNIT	G4L		G4LS	
				48-D	49-D	174-D	178-D
1	4500-81001	CARBURETOR ASSY	1	0	0	-	-
2	848G8U8100	CARBURETOR ASSY	1	-	-	0	0
3	1850-81450	• BODY ASSY	1	0	0	-	-
4	1794-81450	• BODY ASSY	1	-	-	0	0
5	3306-81380	•• SCREEN	1	0	0	0	0
6	3356-81310	•• VALVE.INLET	1	0	0	0	0
7	1850-81270	•• SPRING	1	0	0	-	-
8	1794-81270	•• SPRING	1	-	-	0	0
9	1850-81220	•• SCREW	1	0	0	0	0
10	3310-81250	•• PIN	1	0	0	0	0
11	3310-81230	•• LEVER	1	0	0	0	0
12	1850-81490	• BODY	1	0	0	0	0
13	1850-81520	• COVER	1	0	0	0	0
14	1751-81510	• PUMP	1	0	0	0	0
15	3310-81260	• DIAPHRAGM	1	0	0	-	-
16	848HE081K0	• DIAPHRAGM	1	-	-	0	0
17	1850-81470	• GASKET	1	0	0	0	0
18	1065-81420	• DIAPHRAGM	1	0	0	0	0
19	1065-81410	• GASKET	1	0	0	-	-
20	4810-81410	• GASKET	1	-	-	0	0
21	5500-81160	• WASHER	1	0	0	0	0
22	1751-81130	• RING	1	0	0	0	0
23	1881-81140	• SWIVEL	1	0	0	0	0
24	4500-81150	• VALVE ASSY	1	0	0	-	-
25	848E4H81U0	• VALVE ASSY	1	-	-	0	0
26	1752-81110	• SCREW	2	0	0	0	0
27	5500-81120	• BRACKET	1	0	0	0	0
28	1751-81180	• NUT	1	0	0	0	0
29	5730-81170	• SCREW	1	0	0	0	0
30	1881-81130	• RING	1	0	0	0	0
31	1850-81530	• SCREW	4	0	0	0	0
32	1484-81610	• NEEDLE	1	0	0	-	-
33	1881-81331	• NEEDLE	1	-	-	0	0
34	1491-81160	• SPRING	1	0	0	0	0
35	1881-81190	• WASHER	1	0	0	0	0
36	1881-81240	• O-RING	1	0	0	0	0